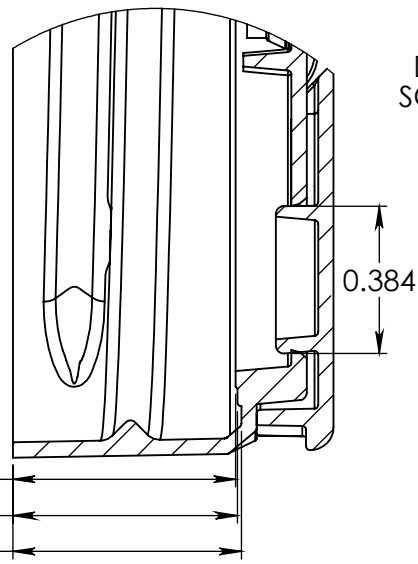
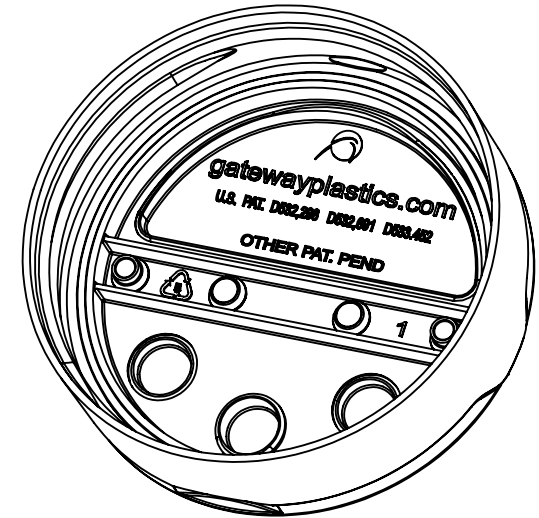
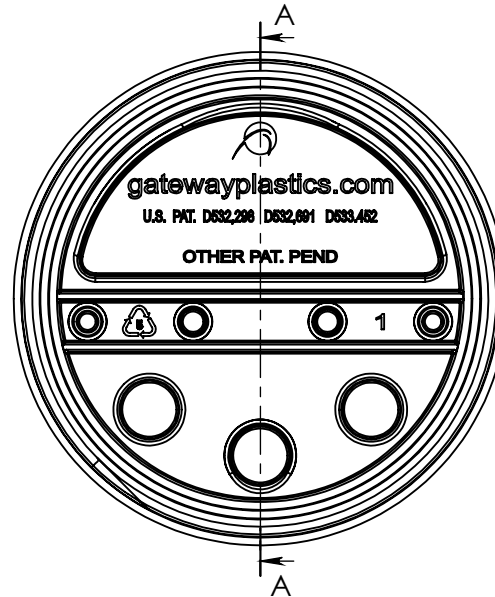
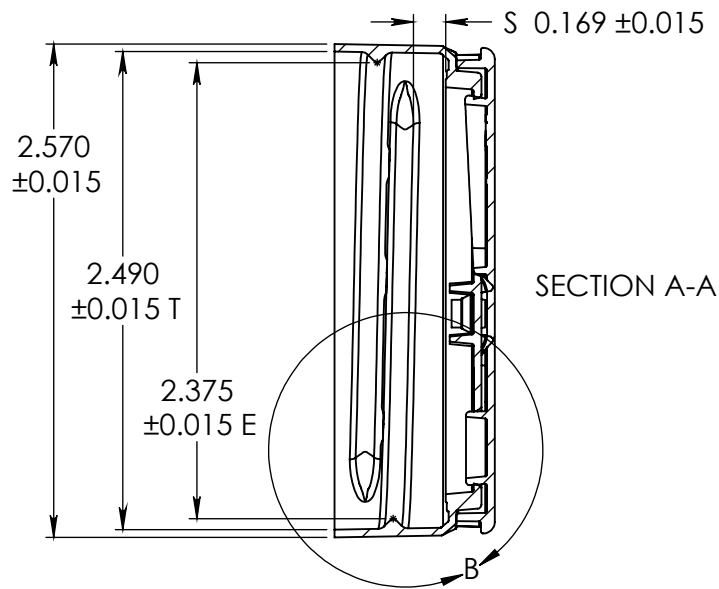


PROPRIETARY AND CONFIDENTIAL

THE INFORMATION CONTAINED IN THIS DRAWING IS THE SOLE PROPERTY OF GATEWAY PLASTICS INC. ANY REPRODUCTION IN PART OR AS A WHOLE WITHOUT THE WRITTEN PERMISSION OF GATEWAY PLASTICS INC. IS PROHIBITED.



DETAIL B
SCALE 2 : 1

TPI = 6

UNLESS OTHERWISE SPECIFIED:		NAME
DIMENSIONS ARE IN INCHES	DRAWN	CEG
TWO PLACE DECIMAL ± 0.015	CHECKED	
THREE PLACE DECIMAL ± 0.005	ENG APPR.	
MATERIAL	MFG APPR.	
	Q.A.	

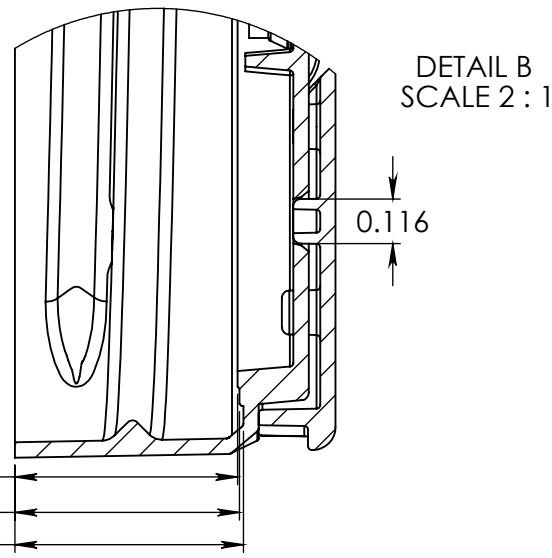
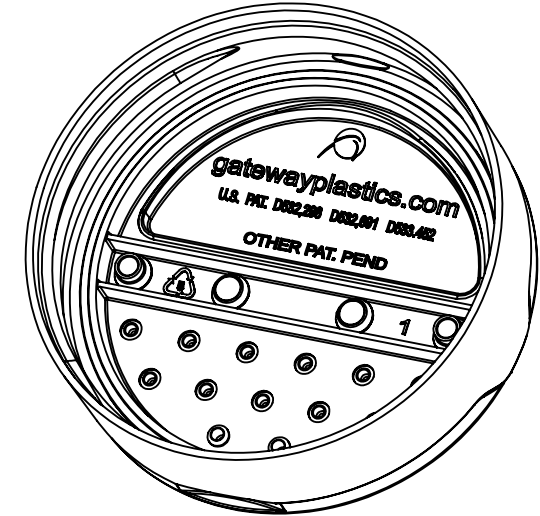
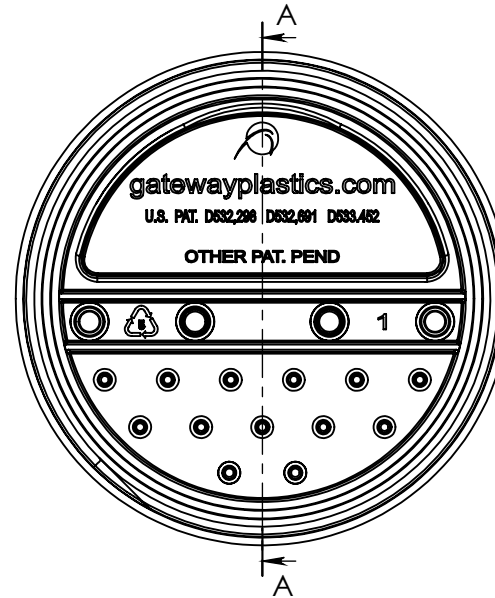
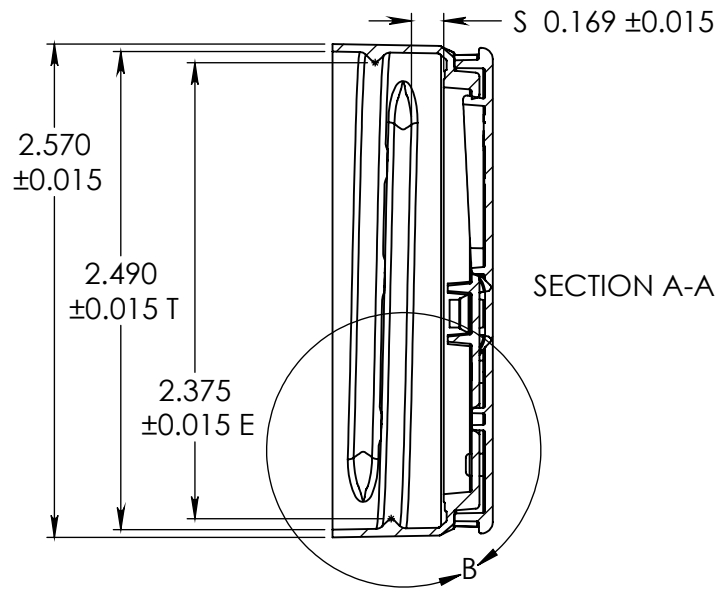
GATEWAY PLASTICS, INC.		
5650 W COUNTY LINE ROAD, MEQUON, WI 53092		
TITLE: 63mm 0.375 3 HOLE CLOSURE		
SIZE	DWG. NO.	REV
A		A
SCALE: 1:1		SHEET 1 OF 1

REVISIONS			
REV.	DESCRIPTION	DATE	APPROVED
A	APPROVED FOR PRODUCTION	12/16/2007	CEG

DO NOT SCALE DRAWING

PROPRIETARY AND CONFIDENTIAL

THE INFORMATION CONTAINED IN THIS DRAWING IS THE SOLE PROPERTY OF GATEWAY PLASTICS INC. ANY REPRODUCTION IN PART OR AS A WHOLE WITHOUT THE WRITTEN PERMISSION OF GATEWAY PLASTICS INC. IS PROHIBITED.



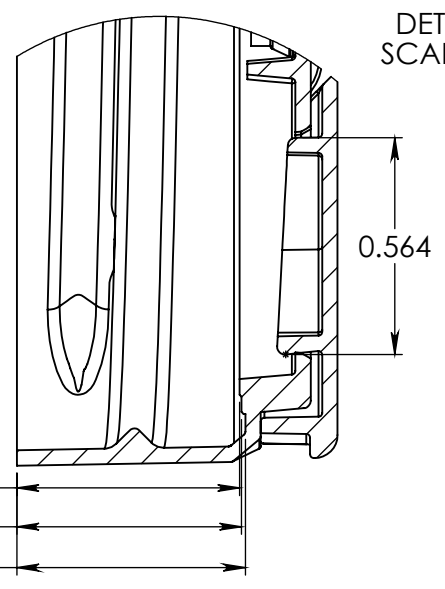
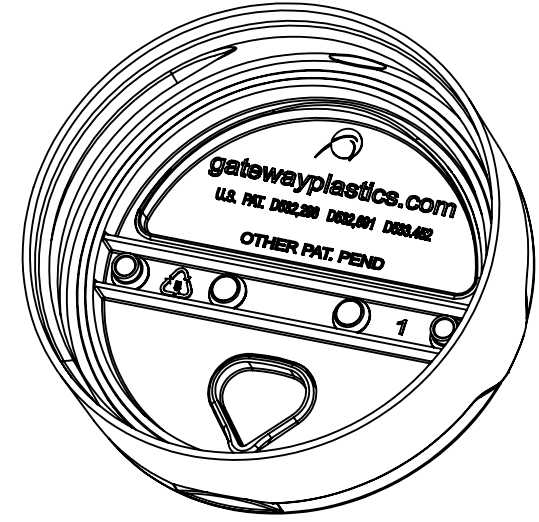
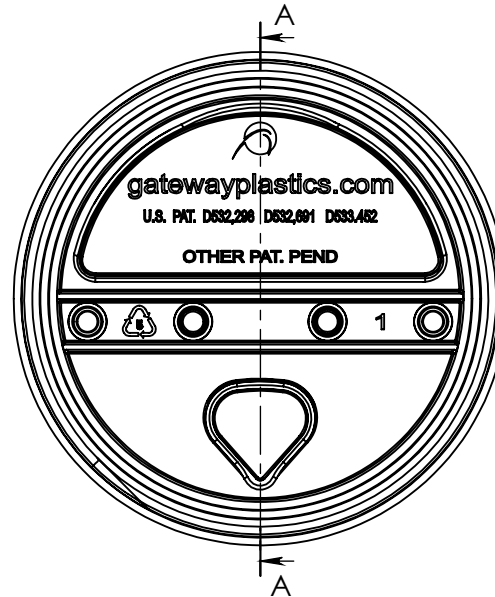
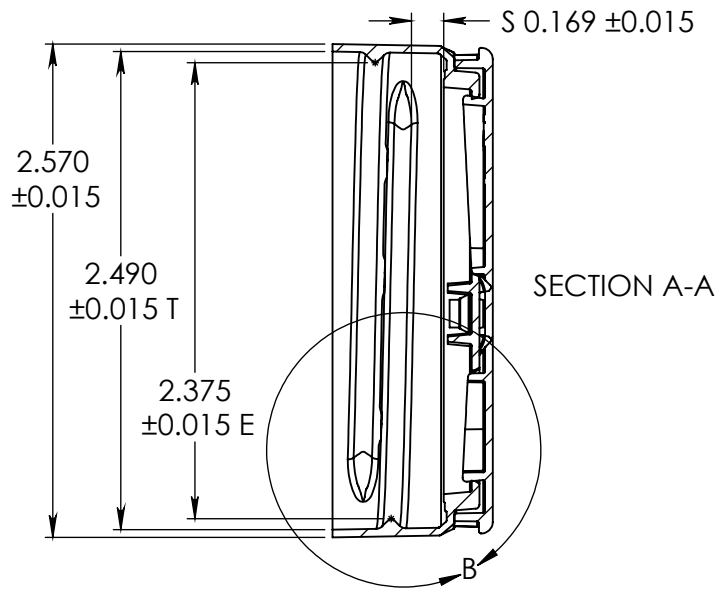
TPI = 6

UNLESS OTHERWISE SPECIFIED: DIMENSIONS ARE IN INCHES TWO PLACE DECIMAL ± 0.015 THREE PLACE DECIMAL ± 0.005		DRAWN	NAME	GATEWAY PLASTICS, INC. 5650 W COUNTY LINE ROAD, MEQUON, WI 53092 TITLE: 63mm 13 HOLE CLOSURE	
MATERIAL		CHECKED	CEG		
		ENG APPR.			
		MFG APPR.			
		Q.A.			
DO NOT SCALE DRAWING			SIZE	DWG. NO.	REV
			A		A
			SCALE: 1:1	SHEET 1 OF 1	

REVISIONS			
REV.	DESCRIPTION	DATE	APPROVED
A	APPROVED FOR PRODUCTION	12/16/2007	CEG

PROPRIETARY AND CONFIDENTIAL

THE INFORMATION CONTAINED IN THIS DRAWING IS THE SOLE PROPERTY OF GATEWAY PLASTICS INC. ANY REPRODUCTION IN PART OR AS A WHOLE WITHOUT THE WRITTEN PERMISSION OF GATEWAY PLASTICS INC. IS PROHIBITED.



TPI = 6

UNLESS OTHERWISE SPECIFIED:		NAME
DIMENSIONS ARE IN INCHES	DRAWN	CEG
TWO PLACE DECIMAL ± 0.015	CHECKED	
THREE PLACE DECIMAL ± 0.005	ENG APPR.	
MATERIAL	MFG APPR.	
	Q.A.	

GATEWAY PLASTICS, INC.
5650 W COUNTY LINE ROAD, MEQUON, WI 53092

TITLE:
63mm TEAR DROP CLOSURE

REVISIONS			
REV.	DESCRIPTION	DATE	APPROVED
A	APPROVED FOR PRODUCTION	12/16/2007	CEG

DO NOT SCALE DRAWING

SIZE	DWG. NO.	REV
A		A
SCALE: 1:1		SHEET 1 OF 1