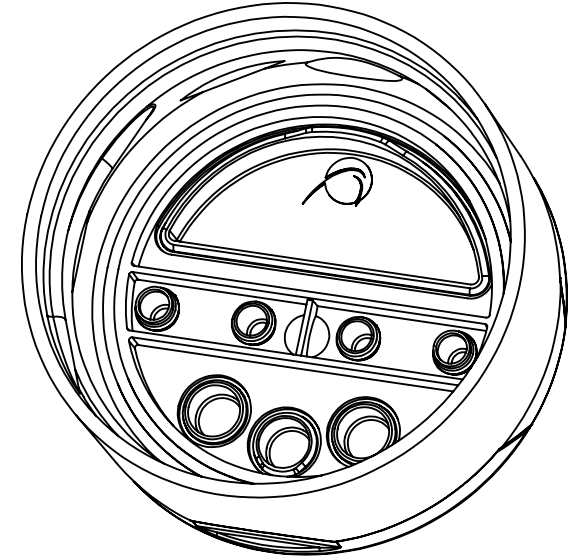
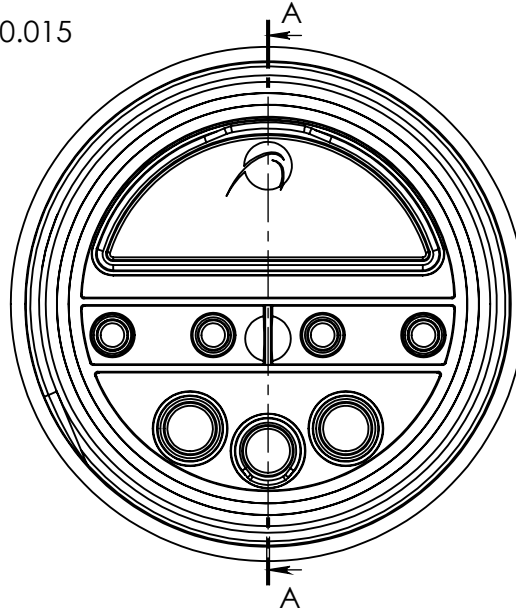
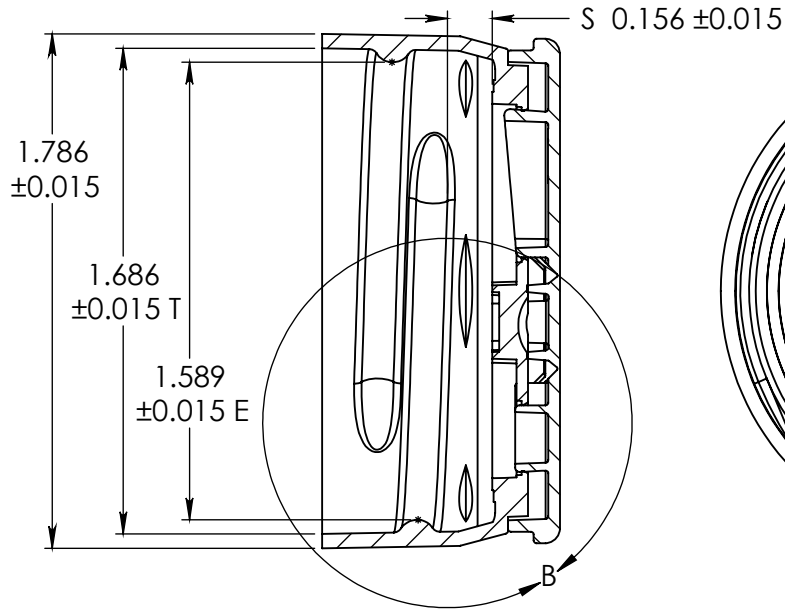


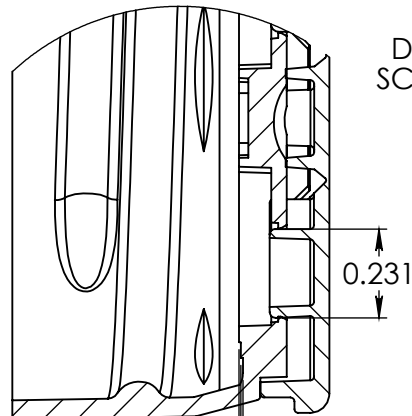
PROPRIETARY AND CONFIDENTIAL

THE INFORMATION CONTAINED IN THIS DRAWING IS THE SOLE PROPERTY OF GATEWAY PLASTICS INC. ANY REPRODUCTION IN PART OR AS A WHOLE WITHOUT THE WRITTEN PERMISSION OF GATEWAY PLASTICS INC. IS PROHIBITED.

SECTION A-A



DETAIL B
SCALE 2 : 1



- 0.590 ±0.015 H
- 0.595 ±0.015 H
- 0.600 ±0.015 H

TPI = 6

UNLESS OTHERWISE SPECIFIED:		NAME	GATEWAY PLASTICS, INC. 5650 W COUNTY LINE ROAD, MEQUON, WI 53092 TITLE: 43mm 3 HOLE 2 pc CLOSURE SIZE CAD FILE NO. REV A 43mm_3_hole-rev-1_03.x_t A
DIMENSIONS ARE IN INCHES		DRAWN	
TWO PLACE DECIMAL ± 0.015		CHECKED	
THREE PLACE DECIMAL ± 0.005		ENG APPR.	
MATERIAL		MFG APPR.	
POLYPROPYLENE		Q.A.	
DO NOT SCALE DRAWING			SCALE: 1.5:1
			SHEET 1 OF 1

REVISIONS			
REV.	DESCRIPTION	DATE	APPROVED
A	APPROVED FOR PRODUCTION	6/2/2006	CEG