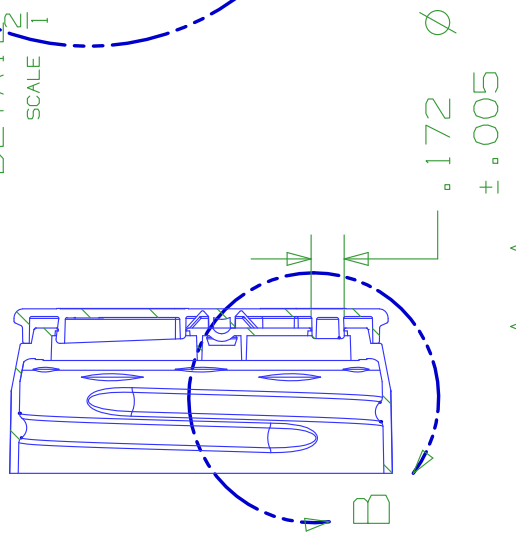
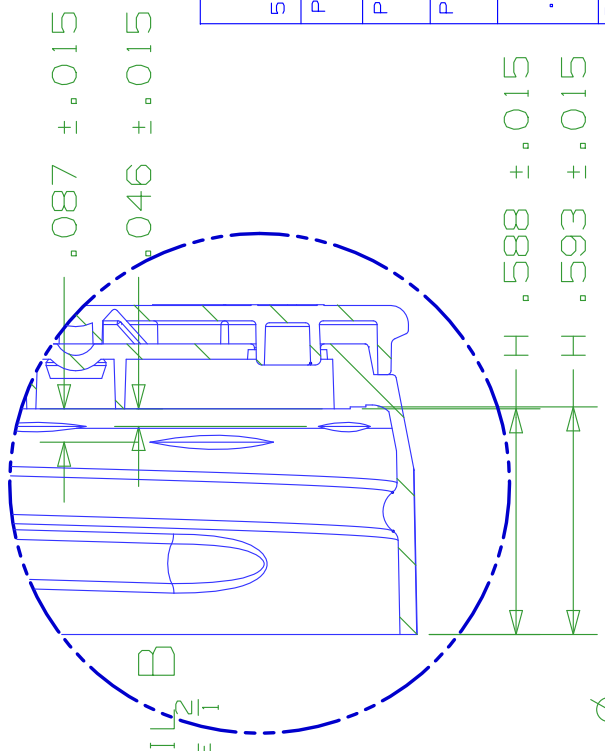
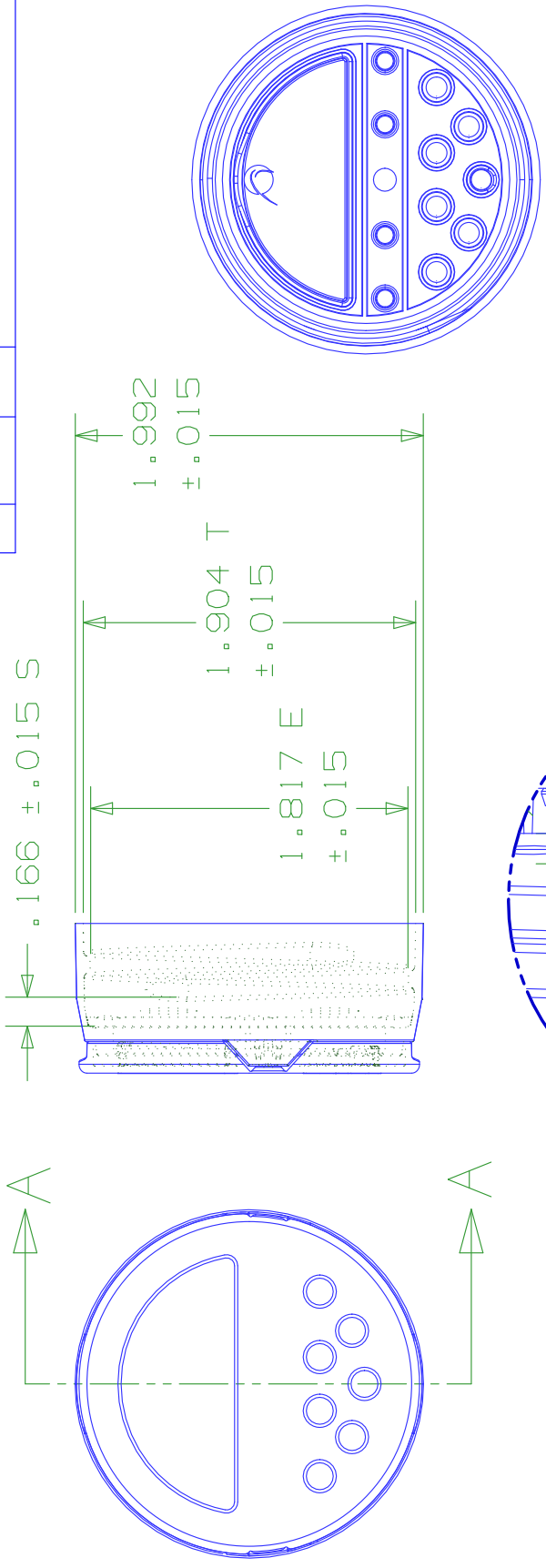


Rev	DATE	By	NOTES
1	6/13/06	JPD	Released drawing



TPI=6

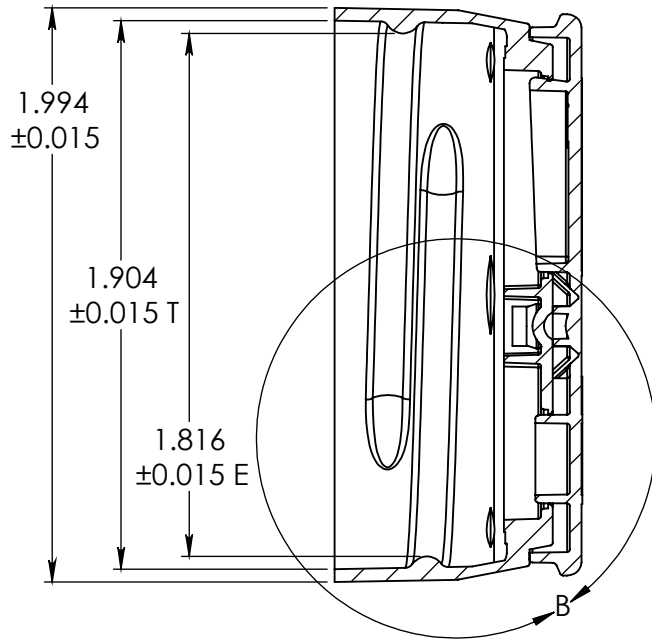
GPI		GATEWAY PLASTICS, Inc.	
5650 W COUNTY LINE ROAD, MEQUON, WI 53092			
PROJ	ACCT	TOOL	CUSTOMER
PART NAME		48mm .172 7 hole	
PART NO		48-2-485-172	
- UNLESS OTHERWISE NOTED -			
.X +/- .03 .XX +/- .015 .XXX +/- .005			
Angle +/- 1deg. Radial .010 Min.			
DATE/EMP	SHT	OF	REV
6/13/06 JPD			1
DESIGN APP	SHRINK		

A

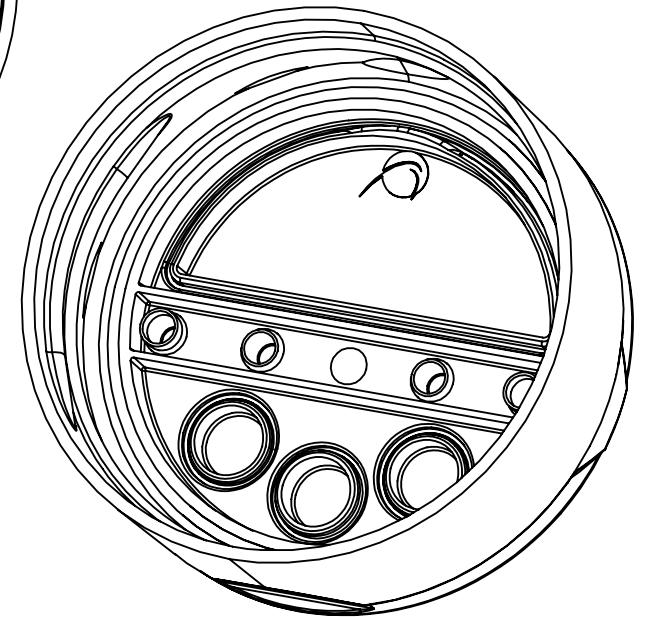
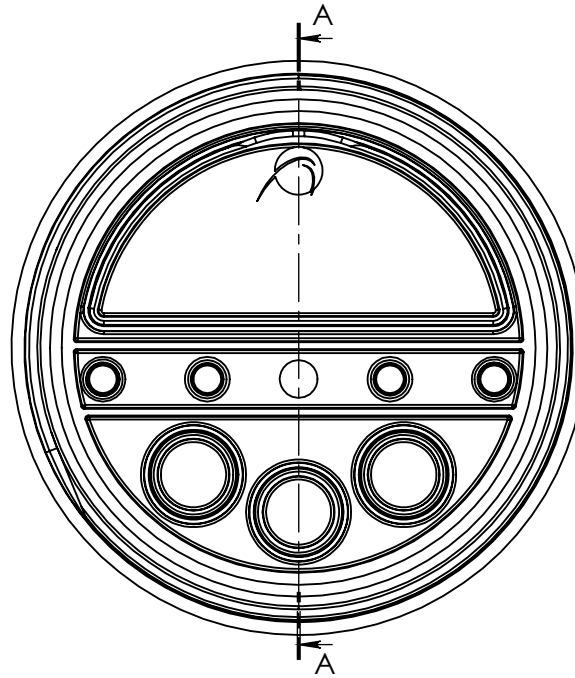
SECTION A - A

PROPRIETARY AND CONFIDENTIAL

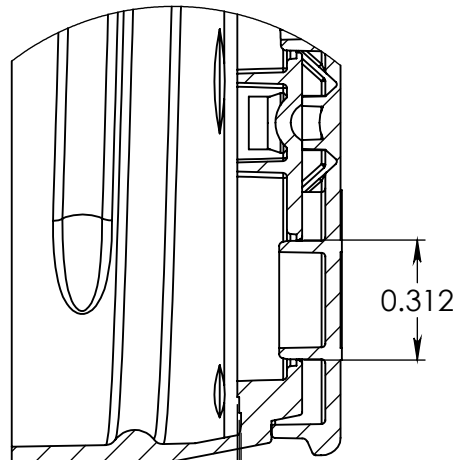
THE INFORMATION CONTAINED IN THIS DRAWING IS THE SOLE PROPERTY OF GATEWAY PLASTICS INC. ANY REPRODUCTION IN PART OR AS A WHOLE WITHOUT THE WRITTEN PERMISSION OF GATEWAY PLASTICS INC. IS PROHIBITED.



SECTION A-A  
SCALE 1.5 : 1



DETAIL B  
SCALE 2 : 1



- 0.588 ±0.015 H
- 0.593 ±0.015 H
- 0.598 ±0.015 H

TPI = 6

PRELIMINARY -  
NOT APPROVED FOR PRODUCTION

UNLESS OTHERWISE SPECIFIED: DIMENSIONS ARE IN INCHES TWO PLACE DECIMAL ± 0.015 THREE PLACE DECIMAL ± 0.005		DRAWN	NAME	<b>GATEWAY PLASTICS, INC.</b> 5650 W COUNTY LINE ROAD, MEQUON, WI 53092  TITLE: <b>48mm 312 Dia 3 HOLE 2 pc CLOSURE</b>	
MATERIAL POLYPROPYLENE		CHECKED	CEG		
		ENG APPR.			
		MFG APPR.			
		Q.A.		SIZE	CAD FILE NO.
				<b>A</b>	48mm_3_hole_312_hole
				SCALE: 1.5:1	SHEET 1 OF 1

REVISIONS			
REV.	DESCRIPTION	DATE	APPROVED

DO NOT SCALE DRAWING