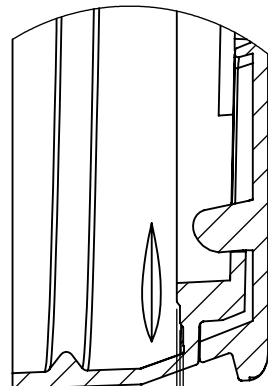
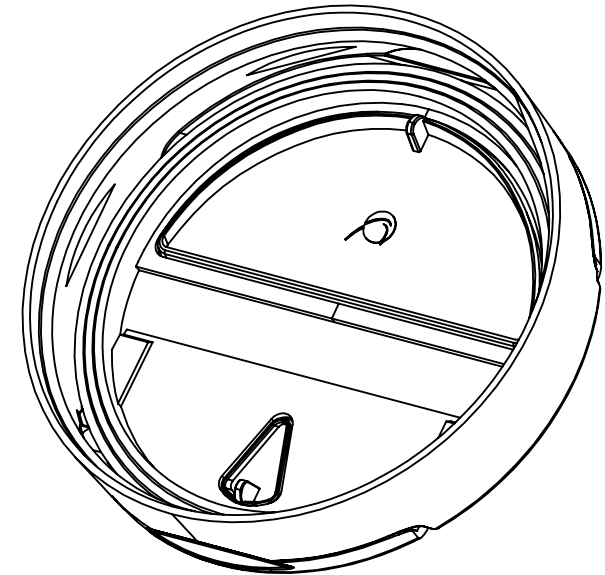
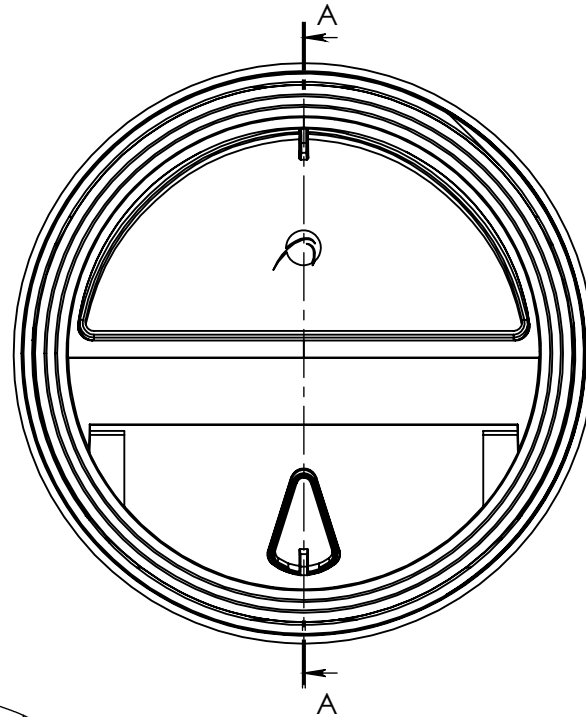
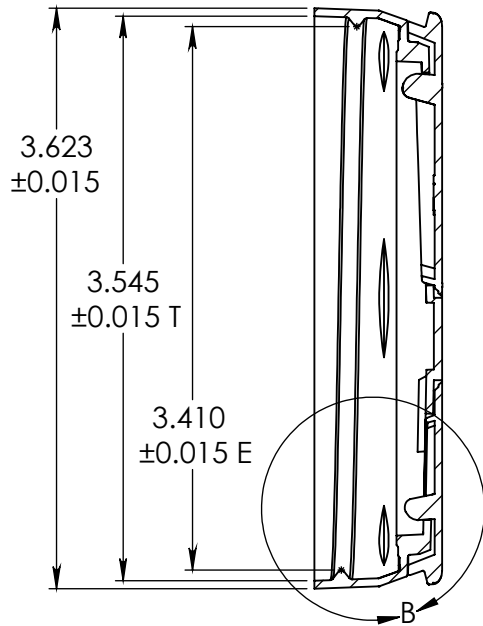


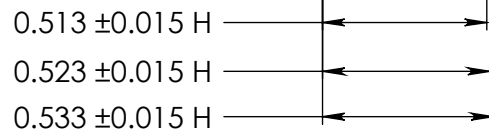
PROPRIETARY AND CONFIDENTIAL

THE INFORMATION CONTAINED IN THIS DRAWING IS THE SOLE PROPERTY OF GATEWAY PLASTICS INC. ANY REPRODUCTION IN PART OR AS A WHOLE WITHOUT THE WRITTEN PERMISSION OF GATEWAY PLASTICS INC. IS PROHIBITED.

SECTION A-A



DETAIL B  
SCALE 2 : 1.2



UNLESS OTHERWISE SPECIFIED:		NAME	<b>GATEWAY PLASTICS, INC.</b> 5650 W COUNTY LINE ROAD, MEQUON, WI 53092  <b>TITLE:</b> <b>89mm TEAR DROP 1pc CLOSURE</b>
DIMENSIONS ARE IN INCHES		DRAWN	
TWO PLACE DECIMAL ± 0.015		CHECKED	
THREE PLACE DECIMAL ± 0.005		ENG APPR.	
MATERIAL		MFG APPR.	
POLYPROPYLENE		Q.A.	
		SIZE	CAD FILE NO.
		<b>A</b>	89mm_tear_drop-rev4_07.x_t
		SCALE: 1:1.2	SHEET 1 OF 1

REVISIONS			
REV.	DESCRIPTION	DATE	APPROVED
A	APPROVED FOR PRODUCTION	6/14/06	CEG

DO NOT SCALE DRAWING