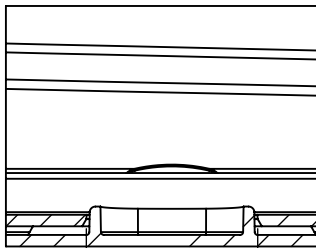
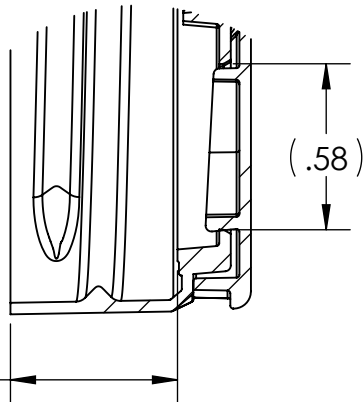


SECTION A-A



SECTION C-C

(.60)



DETAIL B



NOTES:

MATERIAL = POLYPROPYLENE

TPI = 6



5650 W COUNTY LINE RD.
MEQUON, WI 53092
www.silganspecialty.com

TITLE:

CLOSURE, Ø63MM, TEARDROP

SSP SALES SPECIFICATION

PRODUCT NUMBER: 63-2-485-340

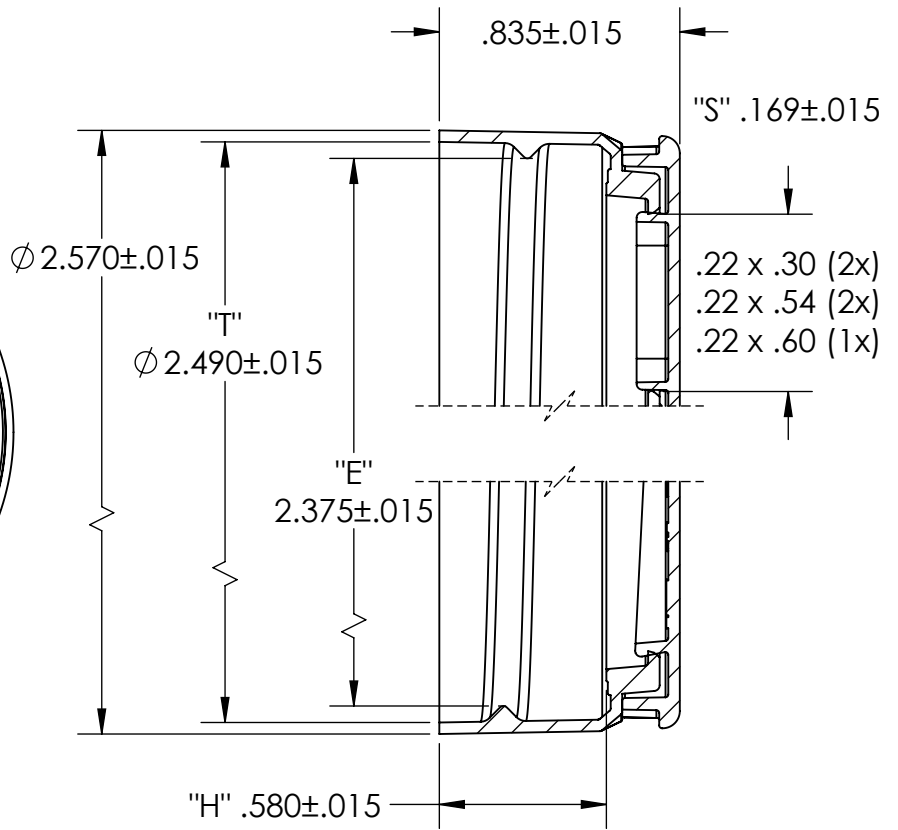
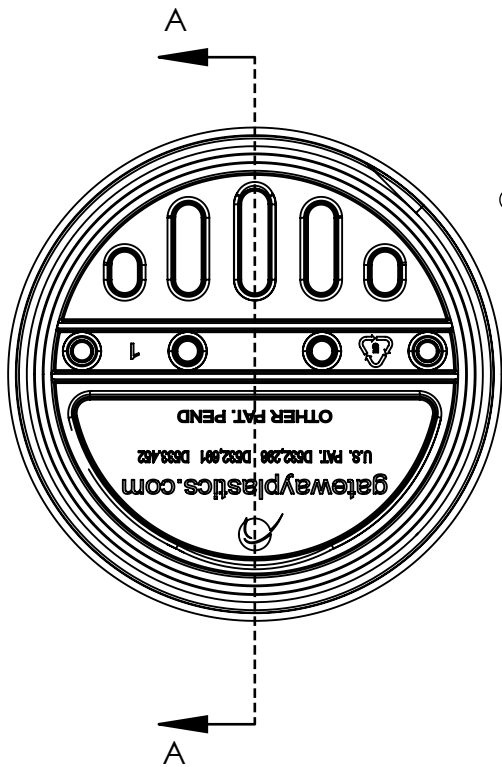
REV B

DO NOT SCALE DRAWING

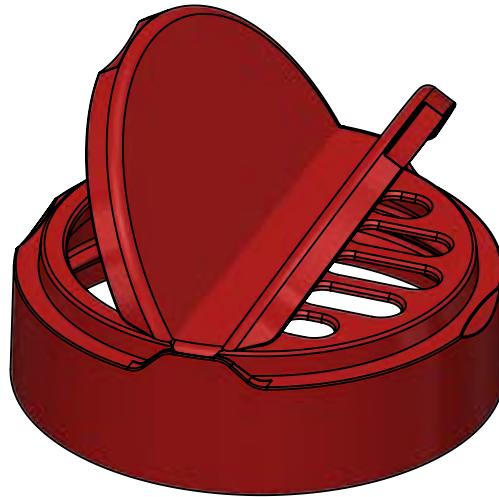
CAD FILE REF.: 63mm-TEAR_DROP-REV3-122007.X_T

NOT TO SCALE

SHEET 1 OF 1



SECTION A-A



NOTES:

MATERIAL = POLYPROPYLENE
 MASS = 10.5G
 TPI = 6



5650 W COUNTY LINE RD.
 MEQUON, WI 53092
 www.silganspecialty.com

TITLE:
 CLOSURE, Ø63MM, 5-SLOT

SSP SALES SPECIFICATION

PRODUCT NUMBER: 63-2-485-025

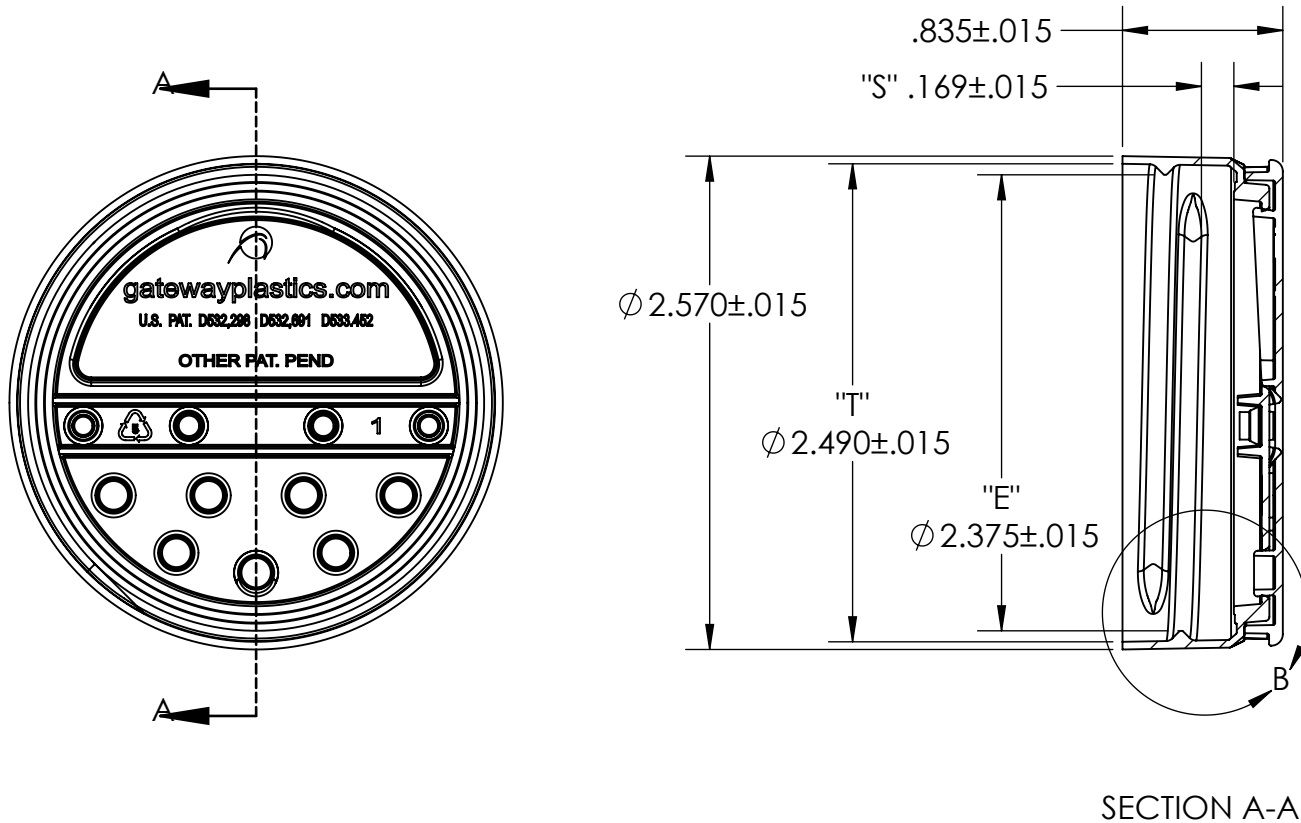
REV A

DO NOT SCALE DRAWING

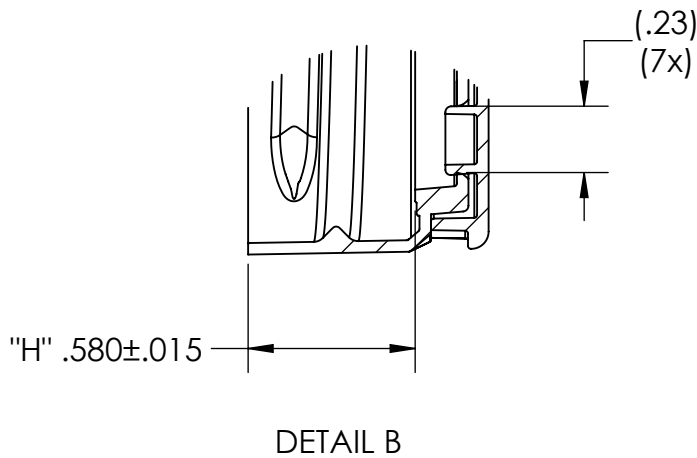
CAD FILE REF.:

NOT TO SCALE

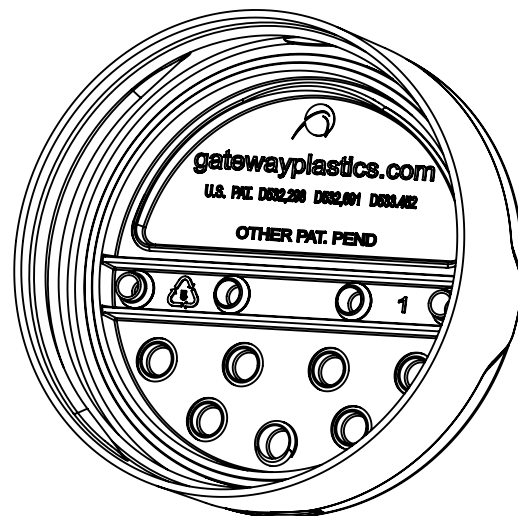
SHEET 1 OF 1



SECTION A-A



DETAIL B



NOTES:

MATERIAL = POLYPROPYLENE

TPI = 6



5650 W COUNTY LINE RD.
MEQUON, WI 53092
www.silganspecialty.com

TITLE:

CLOSURE, Ø63MM, 7-HOLE, (Ø.23)

SSP SALES SPECIFICATION

PRODUCT NUMBER: 63-2-485-230

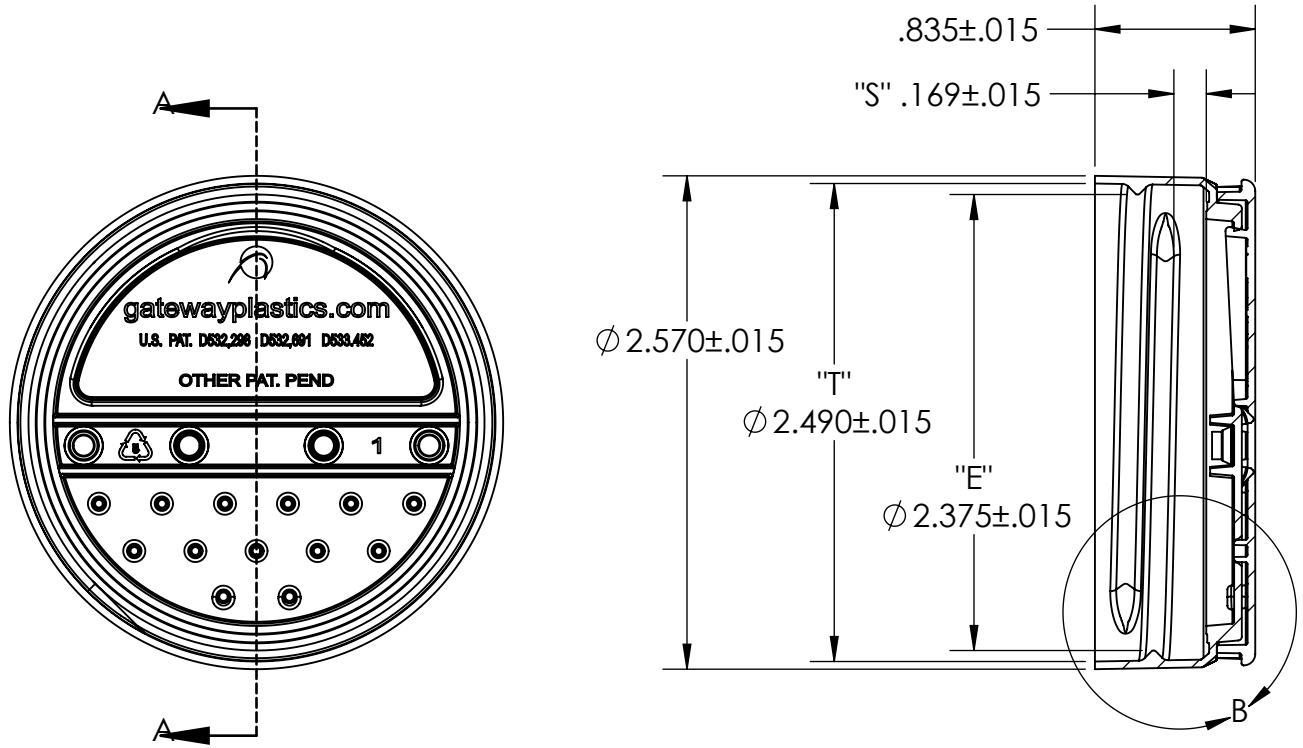
REV B

DO NOT SCALE DRAWING

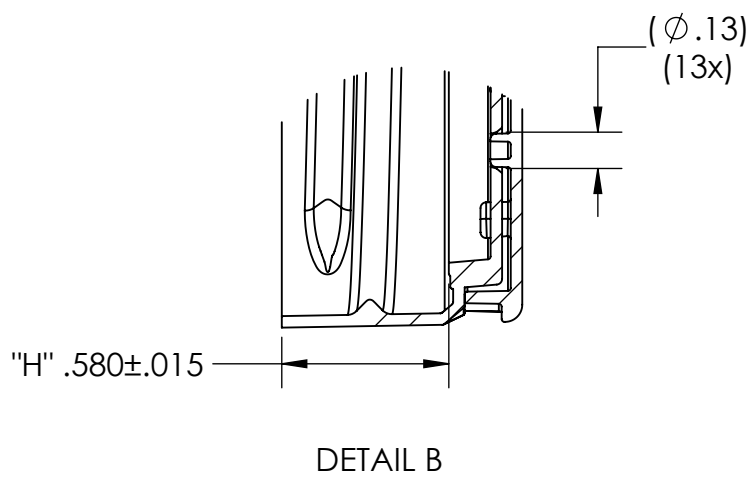
CAD FILE REF.: 63mm-7-HOLE_REV3_011309_240.X_T

NOT TO SCALE

SHEET 1 OF 1



SECTION A-A



DETAIL B

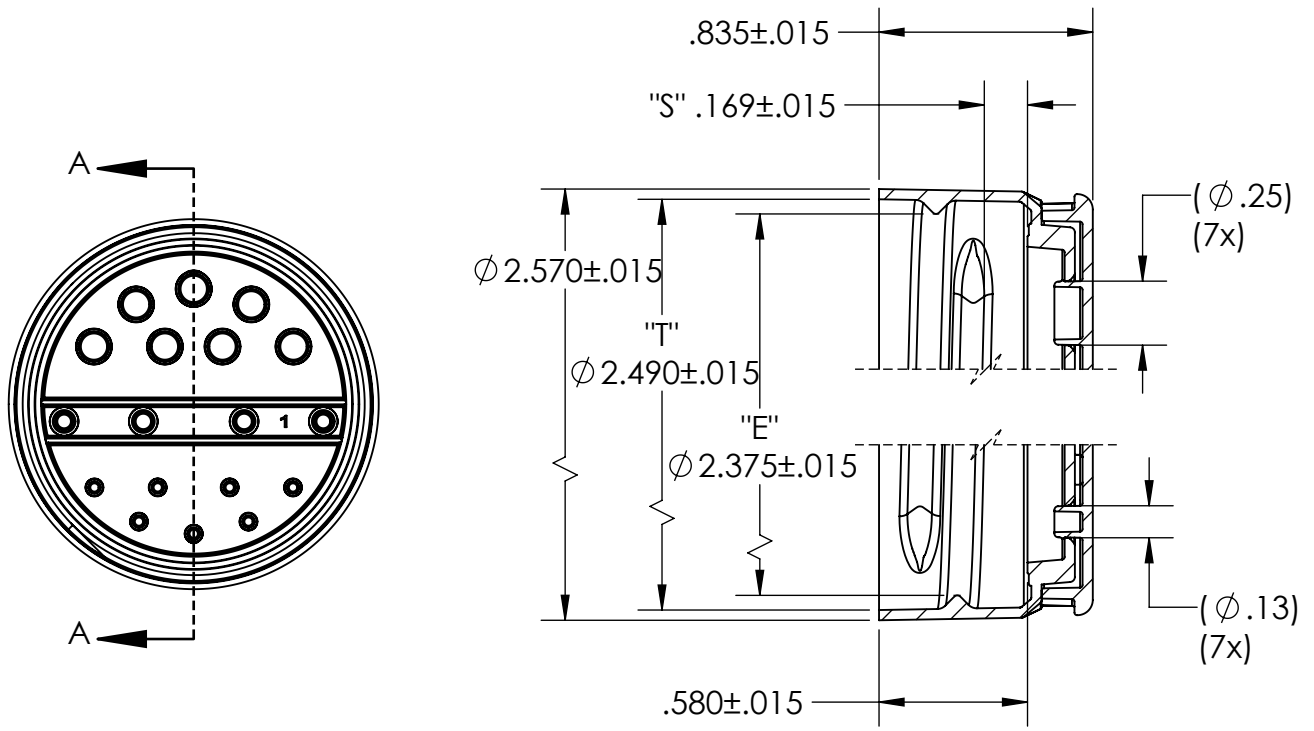


NOTES:
 MATERIAL = POLYPROPYLENE
 TPI = 6

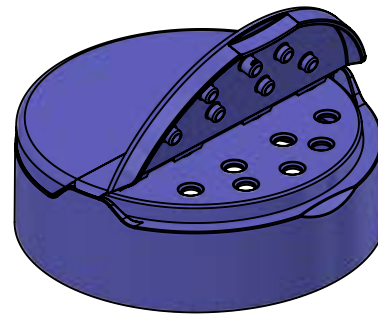
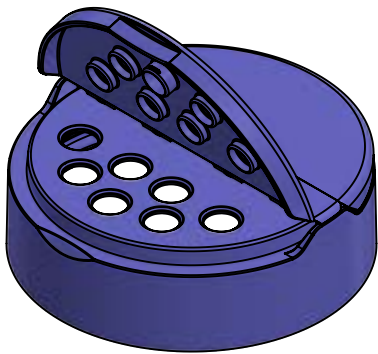
SILGAN
 SPECIALTY PACKAGING
 5650 W COUNTY LINE RD.
 MEQUON, WI 53092
 www.silganspecialty.com

TITLE:
 CLOSURE, Ø63MM, 13-HOLE, (Ø.125)

SSP SALES SPECIFICATION	PRODUCT NUMBER: 63-2-485-125	REV B
DO NOT SCALE DRAWING	CAD FILE REF.: 63mm-13-HOLE_REV1_121608_125.X_T	SHEET 1 OF 1



SECTION A-A



NOTES:

MATERIAL = POLYPROPYLENE

TPI = 6



5650 W COUNTY LINE RD.
MEQUON, WI 53092

www.silganspecialty.com

TITLE:

CLOSURE, Ø63MM, 7XØ.25&7XØ.13

SSP SALES SPECIFICATION

PRODUCT NUMBER: 63-2-485-418

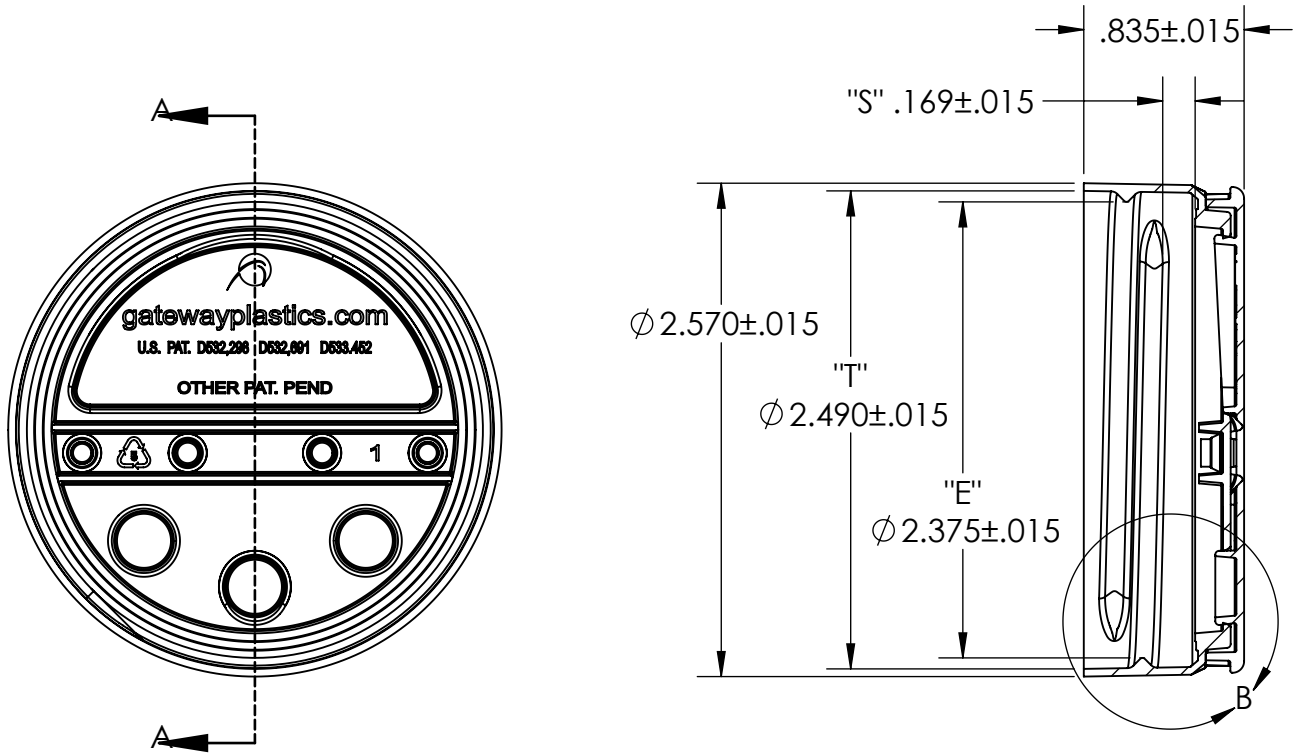
REV A

DO NOT SCALE DRAWING

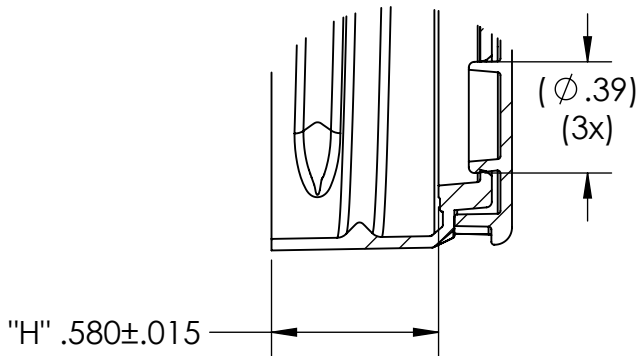
CAD FILE REF.:

NOT TO SCALE

SHEET 1 OF 1



SECTION A-A



DETAIL B



NOTES:

MATERIAL = POLYPROPYLENE

TPI = 6



5650 W COUNTY LINE RD.
MEQUON, WI 53092
www.silganspecialty.com

TITLE:

CLOSURE, Ø63MM, 3-HOLE, (Ø.39)

SSP SALES SPECIFICATION

PRODUCT NUMBER: 63-2-485-400

REV C

DO NOT SCALE DRAWING

CAD FILE REF.: 63mm-3-HOLE_375-REV6-122007.X_T

NOT TO SCALE

SHEET 1 OF 1